



# 专业泳池泵 PROFESSIONAL SWIMMING POOL PUMP ALB



- IP55 waterproof standard.
- Big flow rate.
- Maximum working pressure up to 6kg/cm<sup>2</sup>.
- 316 stainless steel shaft.
- 316 spring+Italian graphite+rubber mechanical seal.
- Motor speed 1450 r.p.m
- Suitable for maximum hot water temperature up to 70°C.



- IP55防水标准;
- 流量大;
- 承压能力强, 可达到6kg/cm<sup>2</sup>;
- 316不锈钢机轴;
- 316弹簧+意大利石墨+橡胶组成的机械密封;
- 电机转速1450转/分钟;
- 最高适用于70°C温泉。

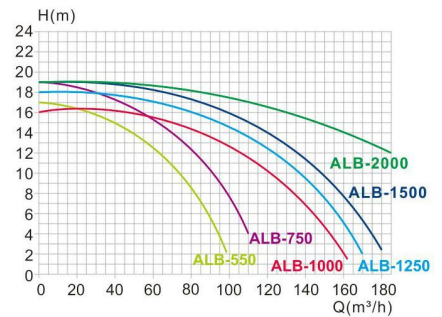
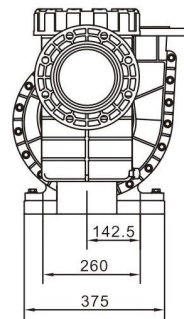
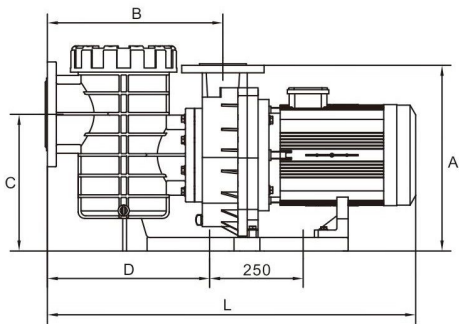
Appearance and design patented, 已注册外观与设计专利, 仿冒必究!  
counterfeiting not allowed! Patent No.专利号: CN201830218633.9

## 1450 转/分钟, 低噪音, 高流量, 耐高温高压

1450rpm/min, Low noise, high flow rate, high temperature and high pressure resistance.

### Specification and size:

### 技术参数及产品尺寸



Model 型号	Voltage 额定电压	Power 功率		Inlet 进水口	Outlet 出水口	L	A	B	C	D
	(V/Hz)	(kW)	(HP)							
ALB-550	380/50	4.0	5.5	DN125	DN80	810	481	441	365	402
ALB-750	380/50	5.5	7.5	DN125	DN80	830	481	441	365	402
ALB-1000	380/50	7.5	10.0	DN150	DN100	930	496	469	365	433
ALB-1250	380/50	9.0	12.5	DN150	DN100	930	496	469	365	433
ALB-1500	380/50	11.0	15.0	DN150	DN100	970	496	469	365	433
ALB-2000	380/50	15.0	20.0	DN150	DN100	1040	496	469	365	433

\* 380V,50/60Hz 可定制。 380V,50/60Hz pump can be customized.